

# OWNER'S MANUAL

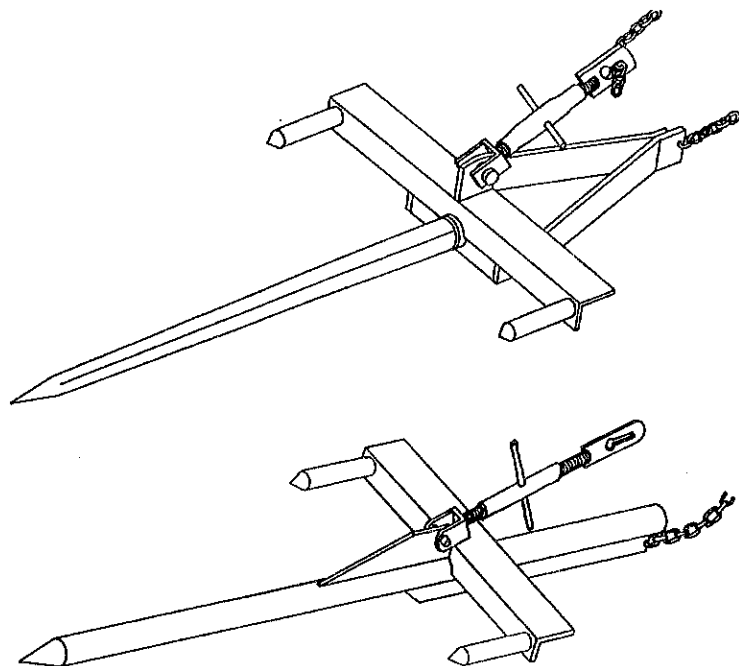
## MODEL NO.'s

BBS-1560 BBSF-2535  
BBSF-1565 T-1500

### **⚠ CAUTION**

For Safe Operation  
Read Rules And  
Instructions Carefully

SINO LEEINGLES, PIDA AYUDA  
A AIGUIEN QUE SI LO LEA  
PARA QUE LE TRADUZCA LAS  
MEDIDAS DE SEGURIDAD.



### STATEMENT OF POLICY

It is the policy of **Worksaver, Inc.** to improve its products where it is possible and practical to do so. **Worksaver, Inc.** reserves the right to make changes or improvements in design and construction at any time, without incurring the obligation to make these changes on previously manufactured units.

## LOADER BUCKET ATTACHMENT(S) (CLAMP-ON)

**Safety Instructions  
Assembly & Mounting  
Operating Instructions**

**Maintenance  
Repair Parts**

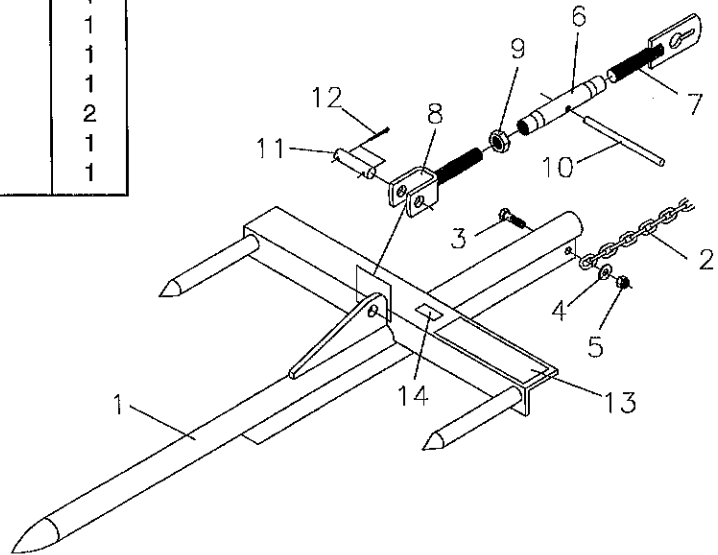
### **⚠ CAUTION**

**THE FOLLOWING SAFETY PRECAUTIONS SHOULD BE THOROUGHLY UNDERSTOOD  
BEFORE ATTEMPTING TO BEGIN ASSEMBLING THIS MACHINE**

1. Select an area for assembly that is clean and free of any debris which might cause persons working on the assembly to trip.
2. Do not lift heavy parts or assemblies. Use crane, jack, tackle, fork trucks or other mechanical devices.
3. Preview the assembly instructions in your operator's manual before proceeding further.
4. If the assembly instructions call for parts or assemblies to be blocked up, use only blocking material that is in good condition and is capable of handling the weight of the assembly to be blocked. Also insure that the blocking material is on a clean, dry surface.
5. Never put hands, or any part of body, under blocked up assemblies if at all possible.
6. After completing assembly, thoroughly inspect the machine to be sure that all nuts, bolts, hydraulic fittings or any other fastened assemblies have been thoroughly tightened.
7. Before operating the machine, thoroughly read the operation section of your operator's manual.
8. Before operating, read the maintenance section of your operator's manual to be sure that any parts requiring lubrication, such as gearboxes, are full, to avoid any possible damage.
9. **Before operating equipment – If you have any questions regarding the proper assembly or operation, contact your Worksaver dealer or representative.**

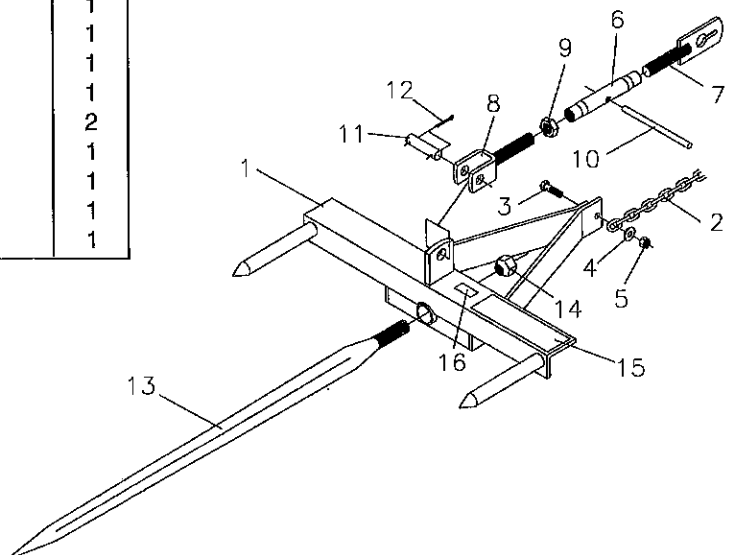
REF NO.	PART NO.	DESCRIPTION	NO. REQ.
1	831221	Bale Spear Weldment	1
2	830406	Chain, $\frac{5}{16}$ " Proof Coil x 5 ft.	1
3	2503265	Bolt $\frac{1}{2}$ " - 13 NC x $\frac{1}{4}$ " Hex Head Gr. 5	1
4	2501003	Washer $\frac{1}{2}$ " Flat	1
5	2500039	Nut $\frac{1}{2}$ " - 13 NC Nylock Hex	1
6	831215	Complete Turnbuckle Assem. (#6 thru #10)	1
7	590277	Barrel	1
8	830412	Threaded Stub, LH	1
8	830410	Threaded Stub, RH	1
9	2500024	Nut 1" - 8 NC Jam Hex	1
10	590145	Handle	1
11	831229	Pin, Turnbuckle	1
12	2504121	Cotter Pin $\frac{3}{16}$ " x $1\frac{1}{2}$ "	2
13	101026	Safety Sign - Caution (Instructions)	1
14	101040	Safety Sign - Notice (1500 lb. Capacity)	1

## BBS-1560 PARTS LIST



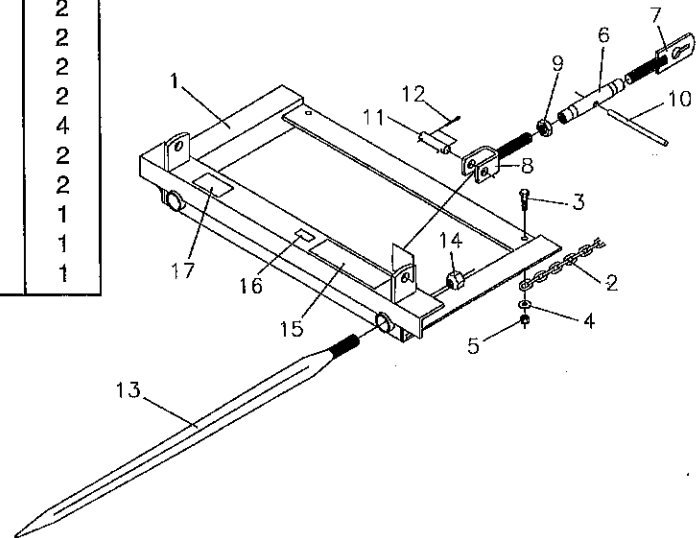
REF NO.	PART NO.	DESCRIPTION	NO. REQ.
1	830391	Main Frame Weldment	1
2	830406	Chain, $\frac{6}{16}$ " Proof Coil x 5 ft.	1
3	2503265	Bolt $\frac{1}{2}$ " - 13 NC x $\frac{1}{4}$ " Hex Head Gr. 5	1
4	2501003	Washer $\frac{1}{2}$ " Flat	1
5	2500039	Nut $\frac{1}{2}$ " - 13 NC Nylock Hex	1
6	831215	Complete Turnbuckle Assem. (#6 thru #10)	1
7	590277	Barrel	1
8	830412	Threaded Stub, LH	1
8	830410	Threaded Stub, RH	1
9	2500024	Nut 1" - 8 NC Jam Hex	1
10	590145	Handle	1
11	831229	Pin, Turnbuckle	1
12	2504121	Cotter Pin $\frac{3}{16}$ " x $1\frac{1}{2}$ "	2
13	831273	Tine, Hay 49.2" (SHW) 831290	1
14	831274	Nut, M28 Tine	1
15	101026	Safety Sign - Caution (Instructions)	1
16	101112	Safety Sign - Notice (1800 lb. Capacity)	1

## BBSF-1565 PARTS LIST



REF NO.	PART NO.	DESCRIPTION	NO. REQ.
1	830481	Main Frame Weldment	1
2	830406	Chain, $\frac{5}{16}$ " Proof Coil x 5 ft.	2
3	2503265	Bolt $\frac{1}{2}$ " - 13 NC x $1\frac{3}{4}$ " Hex Head Gr. 5	2
4	2501003	Washer $\frac{1}{2}$ " Flat	2
5	2500039	Nut $\frac{1}{2}$ " - 13 NC Nylock Hex	2
	831215	Complete Turnbuckle Assm. (#6 thru #10)	2
6	590277	Barrel	2
7	830412	Threaded Stub, LH	2
8	830410	Threaded Stub, RH	2
9	2500024	Nut 1" - 8 NC Jam Hex	2
10	590145	Handle	2
11	831229	Pin, Turnbuckle	2
12	2504121	Cotter Pin $\frac{3}{16}$ " x $1\frac{1}{2}$ "	4
13	831273	Tine, Hay 49.2" (SHW)	2
14	831274	Nut, M28 Tine	2
15	101026	Safety Sign - Caution (Instructions)	1
16	101151	Safety Sign - Notice (2800 lb. Capacity)	1
17	101127	Safety Sign - Warning (Insert Spears)	1

## BBSF-2535 PARTS LIST



REF NO.	PART NO.	DESCRIPTION	NO. REQ.
1	830401	Tine Weldment	2
2	830406	Chain, $\frac{5}{16}$ " Proof Coil x 5 ft.	2
3	2503265	Bolt $\frac{1}{2}$ " - 13 NC x $1\frac{3}{4}$ " Hex Head Gr. 5	2
4	2501003	Washer $\frac{1}{2}$ " Flat	2
5	2500039	Nut $\frac{1}{2}$ " - 13 NC Hex Nylock	2
	831215	Complete Turnbuckle Assm. (#6 thru #10)	2
6	590277	Barrel	2
7	830412	Threaded Stub, LH	2
8	830410	Threaded Stub, RH	2
9	2500024	Nut 1" - 8 NC Jam Hex	2
10	590145	Handle	2
11	830416	Pin, Turnbuckle	2
12	590034	Linch Pin $\frac{1}{4}$ " (AK-61)	4
13	830213	Balance Spike	2
14	830419	Mast Weldment	2
15	2503112	Bolt $\frac{1}{2}$ " - 13 NC x 5" Hex Head	4
16	2502002	Washer $\frac{1}{2}$ " Springlock	4
17	2500003	Nut $\frac{1}{2}$ " - 13 NC Full Hex	4
18	2503111	Bolt $\frac{5}{16}$ " - 18 NC x $1\frac{3}{4}$ " Hex Head	2
19	2502011	Washer $\frac{5}{16}$ " Springlock	2
20	2500011	Nut $\frac{5}{16}$ " - 18 NC Full Hex	2
21	101026	Safety Sign - Caution (Instructions)	1
22	101034	Safety Sign - Caution (Hay Equipment)	1
23	101040	Safety Sign - Notice (1500 lb. Capacity)	1
24	101007	Safety Sign - Warning (Bucket Spikes)	1

## T-1500 PARTS LIST

